

HSF

IDC HOUSING MATERIAL

Insulation Material:LCP+30%GF(UL94V-0)

Contact Material:Phosphor Bronze

Contact plating:Sn Over Ni

SPECIFICATIONS

Insulation Resistance:

Contact Resistance: 5MΩ Min

Withstand Voltage: 1.0Ω Max10S
DC 300V

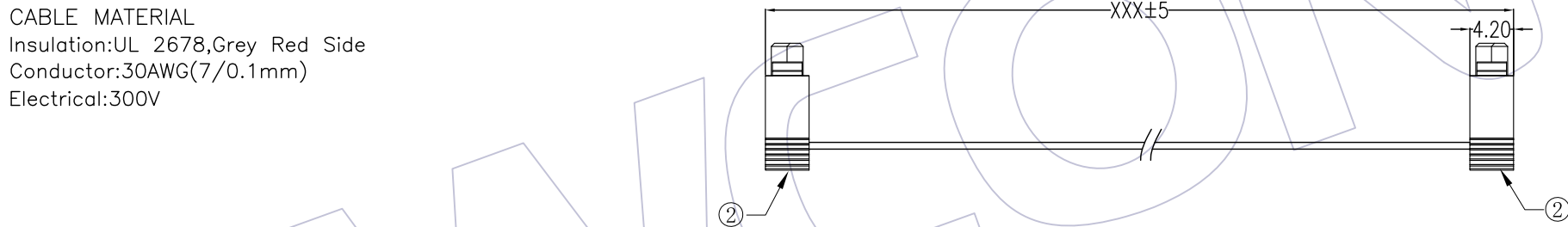
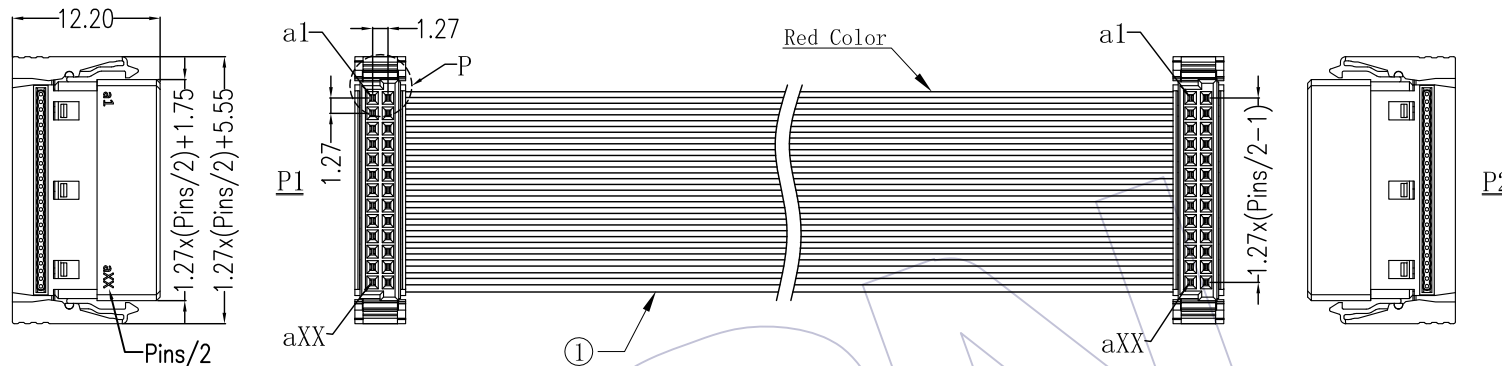
The Cable Assembly Must 100% Test

CABLE MATERIAL

Insulation:UL 2678,Grey Red Side

Conductor:30AWG(7/0.1mm)

Electrical:300V



Ordering Information

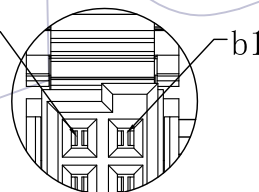
F3911C - XX XX A B XXX 001

No.OF Pins
10p~100P

Contact Plating
S0=1U" Gold Flash/Tin
S3=10U" Gold Flash/Tin
S4=15U" Gold Flash/Tin
S5=30U" Gold Flash/Tin

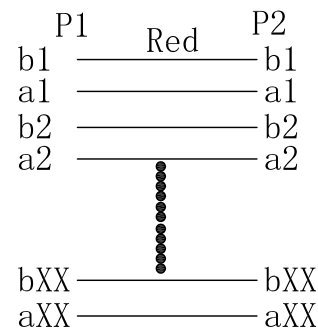
Conn.Color
B=Black

Length of Line



P
SCALE 3:1

CONNECT METHOD



②	3911-XXXUXXW1	CONN.	1.27Pitch CONNECTORS IDC XXP LCP BLACK	2	PCS
①	F1U-A30GXXD0-XXXX-1	WIRE	UL2678 PHO. 635mm XXP 30AWG(7/0.1), PVC Grey Red Side	XXX	MM
NO.	PART NO.	NAME	TITLE	Q'TY	UNIT

		OPERATION		DRAW		DATE		SCALE		FIT		PART NO.	
		X.X	±0.40	Ding		2017/10/12		UNIT	mm	A4		F3911C-XXXXABXXX001	
		X.XX	±0.25	CHECK		DATE		SIZE	1/1		TITLE:		
		X.XXX	±0.15	APPROVE		DATE		SHEET	1/1		1.27 Pitch IDC/1.27 Pitch IDC		
AO	2017/10/12	NEW						PROJ.	Customer NO.				
REV	DATE	MODIFICATION DESCRIPTION		CHANGE									

WCON

Http: www.wcon.com

WCON-Dongguan Tel: +86 769 85358920
WCON-Kunshan Tel: +86 512 57468408
Fax: +86 769 85358915 Fax: +86 512 57468468
E-mail: sales@wcon.com E-mail: salesks@wcon.com